

Model SR-202 from Slide-Rite®

The Right Solution for Superior Slider Retention

Applies sliders and end clips in one step. Patented end clips provide industry leading end retention for your package. Recommended for large format bags and demanding applications.

Application Specifics



Slider Types

- Standard (general use)
- "S"-slider (superior top retention)
- Particle Plow (cleans track before closing)

End Retention Types

- End Clips

Track Types

- Standard Two-Piece
- Tamper Evident
- EOT (Easy-Open Track)



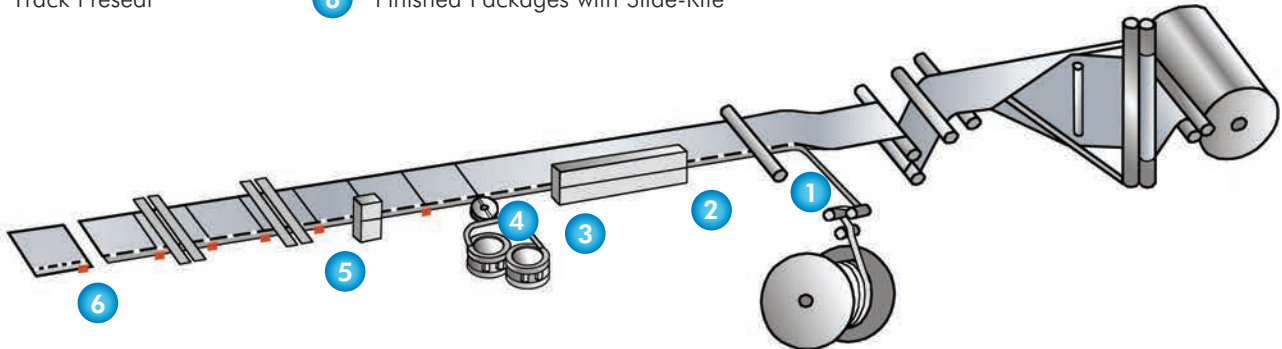
SLIDE-RITE®
SLIDER

FreshLock®
ZIPPER

Total Zipper Technology

SR-202: A Detailed Look

- 1 Track Unwind
- 2 Track Seal
- 3 Track Preseal
- 4 Slider and End Clip Application
- 5 ETM
- 6 Finished Packages with Slide-Rite®

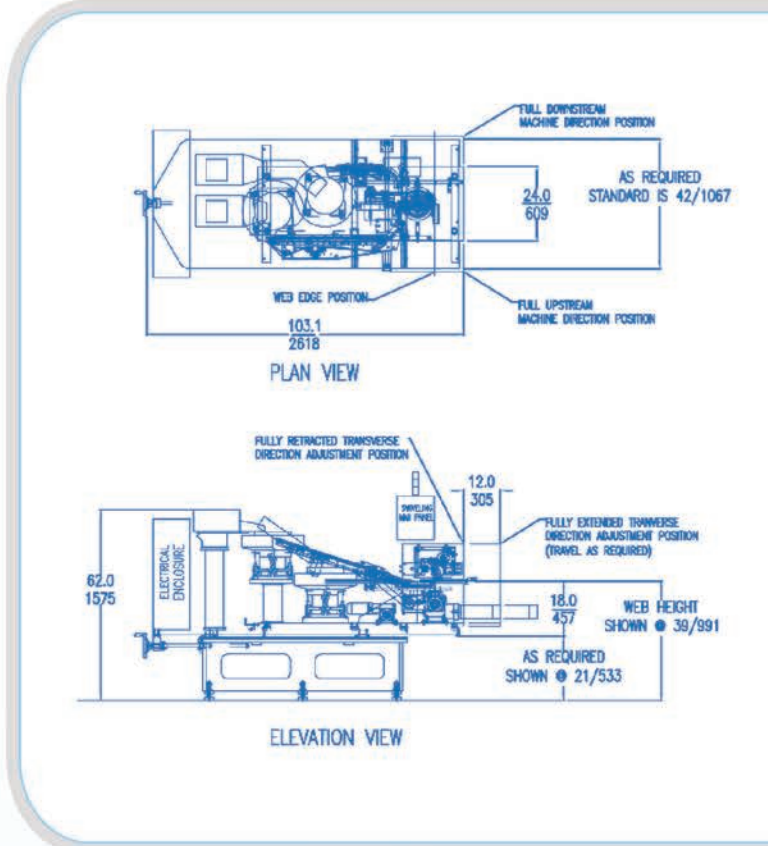


Model SR-202

Machine Specifications	
Production Speed	Up to 100 cycles per minute
Package Widths (in.)	Standard 3 to 20 inches (76 to 508 mm) Above 20 inches available on request
Electrical Requirements	200-240 VAC, 3 phase, 50-60 Hz, 30 Amps
Compressed Air Requirements	5 SCFM, 50 psi, (141 liters/min., 0.34 MPa)
Shipping Weight (approx.)	6,500 lbs. (2950 Kg)

Machine Features

- Stand-alone design includes electrical panel and operator interface on a single machine frame
- Optional wide clip available
- Optional track preseal and ETM modules may be added to SR-202 frame
- Allen-Bradley controls are standard, Ormec and others available optionally



Total Zipper Technology

Presto Products Company • A Business of Reynolds Packaging Group • P.O. Box 2399 • Appleton, WI 54912-2399
(800) 265-0750 • Fax: (920) 738-1347 • E-mail: fresh-lock@reynoldspkg.com

www.fresh-lock.com For Europe: www.slide-rite.eu