

Slide-Rite®

MODEL SR-T100

SLIDER APPLICATOR

Adding Slider Closures to Your Product Has Never Been This Easy!

Extremely compact inserter design, integrated zipper unwind, low capital cost, and it rolls up to your existing FFS or pre-made process. Simple controls make it easy to add to your capabilities.



SIMPLEX/DUPLEX MACHINES



ERGONOMIC



CHILD-GUARD™

SIMPLEX MACHINE



PARTICLE PLOW

FLEX MACHINE

(easily converts between products)



ERGONOMIC



CHILD-GUARD™

APPLICATION SPECIFICS

Slider Types

- Ergonomic (small, great in hooded packages)
- Particle Plow (cleans track before closing)
- Child-Guard™ (press-to-engage applications)

Track Types

- Two-Piece
- Tamper Evident
- Child-Guard™ Track
- Barrier Track

End Retention Types

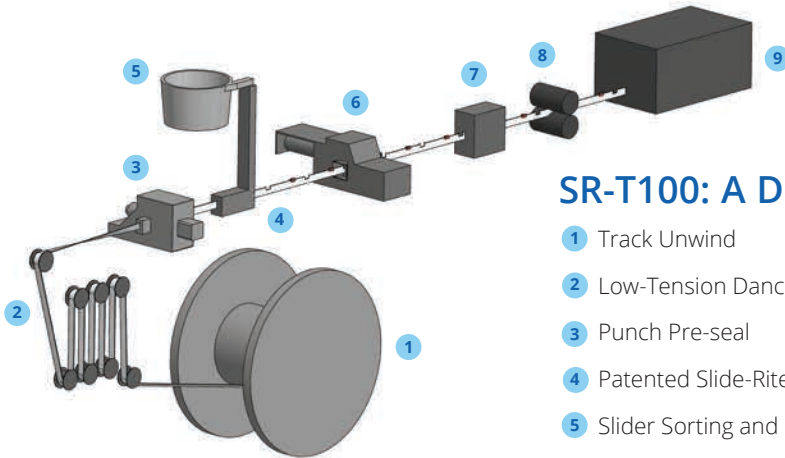
- Ultrasonic

SLIDE-RITE
SLIDER

FreshLock
zipper

Total Zipper Technology

MODEL SR-T100



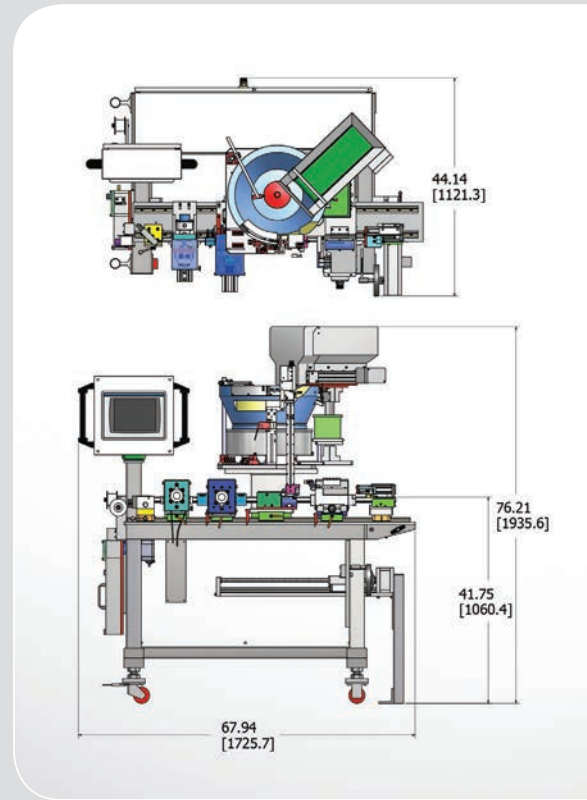
SR-T100: A Detailed Look

- 1 Track Unwind
- 2 Low-Tension Dancer
- 3 Punch Pre-seal
- 4 Patented Slide-Rite® Slider Insertion
- 5 Slider Sorting and Feeding System
- 6 Ultrasonic End Stop
- 7 Slider Parker
- 8 Pull Nip (if running segment production)
- 9 HFFS, VFFS, or Pre-made Equipment

MACHINE FEATURES

- Compact footprint, quick installation, simple process, and available in wash-down construction
- Fully integrated, compact electrical panel (CE certification available)
- Portable, can be shared between several bag making machines
- Allen-Bradley controls
- Duplex is an available option

MACHINE SPECIFICATIONS			
	ERGO	PARTICLE FLOW	CHILD-GUARD™
PRODUCTION SPEED	Up to 150 per min.	Up to 100 per min.	Up to 130 per min.
PACKAGE WIDTHS (IN.)	4 to 16	4 to 16	6 to 16
ELECTRICAL REQUIREMENTS	208-240 VAC, single phase, 50-60 Hz, 30 Amps		
COMPRESSED AIR REQUIREMENTS	10 SCFM, 80 psi, clean and dry (84-144 liters/min., 0.54 Mpa)		
SHIPPING WT. (APPROX.)	1,000 lbs. (454 Kg)		



Contact one of our slider sales professionals today, and we'll find a solution for virtually any flexible packaging need.



Total Zipper Technology

Presto Products Company
 A Business of Reynolds Consumer Products
 P.O. Box 2399 • Appleton, WI 54912-2399
 (800) 265-0750 • Fax: (920) 738-1347
 E-mail: PrestoFreshLock@ReynoldsBrands.com

www.fresh-lock.com For Europe: www.slide-rite.eu