

# Click 'N Lock™ Sensory Zipper from Fresh-Lock®

## Sensory Zipper Ensures a Secure Closure and Product Freshness

An audible noise lets consumers know when the package is opened and securely closed. A noticeable texture between the double zippers can be felt as the bag closes, providing sensory feedback and reassuring the consumer that the bag is closed.

### APPLICATIONS

- Food
- Pet Food and Treats
- Pharmaceuticals
- Chemical
- Lawn & Garden

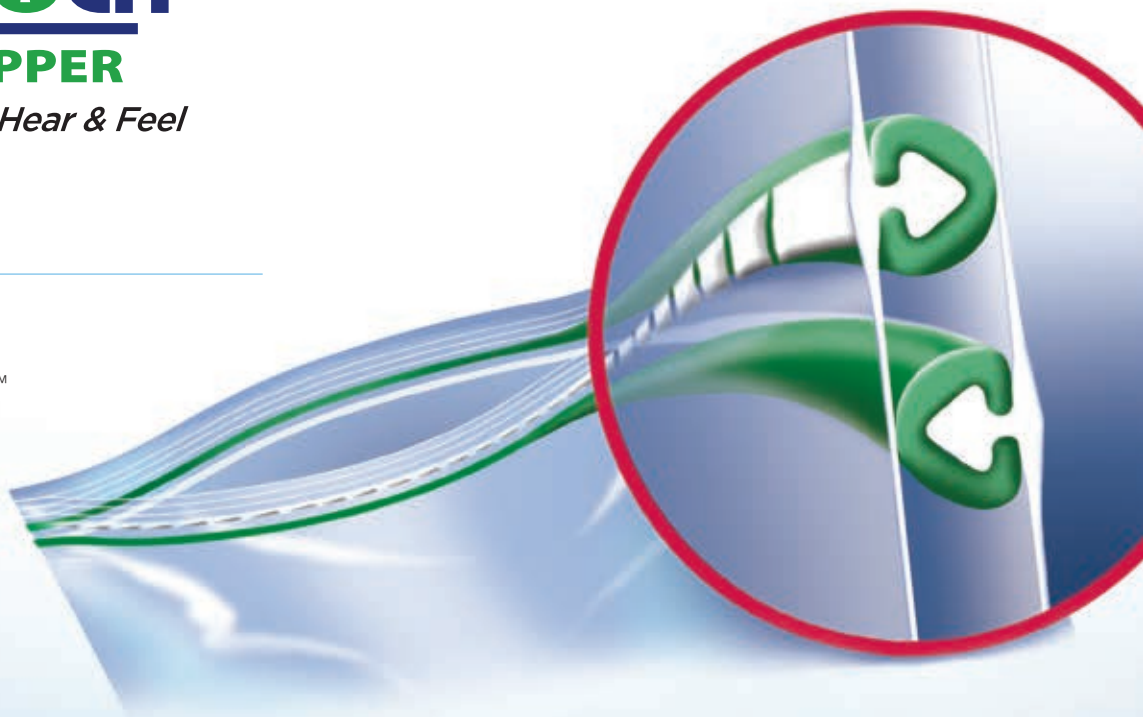
# Click 'N Lock™

## SENSORY ZIPPER

*The SECURE SEAL You Hear & Feel*

### Zipper Specifics

Consumers hear and feel the difference of the Click 'N Lock™ Sensory Zipper.



**FreshLock®**  
zipper

**SLIDE-RITE®**  
SLIDER

*The fresh packaging advantage*


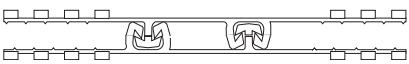
# Sound and feel establish the confidence of a secure seal

With an audible snap and solid touch, the Click 'N Lock™ Sensory Zipper preserves the freshness of the bag's contents and lets users know they can count on it. Easy to open and close, the Click 'N Lock™ Sensory Zipper is available with our patented sealant rib design for better sealing performance.

## Features

- Audible tactile sensory feature that indicates the package is sealed
- Soft Seal® material provides easy edge crush
- Enhanced sealant layer adheres easily to most film structures
- Profile is available with either clear or colored locks
- Style 514 features our patented sealant rib design for better sealing performance
- More styles under development

**Click 'N Lock™**  
**SENSORY ZIPPER**  
*The SECURE SEAL You Hear & Feel*

STYLE #	ZIPPER WIDTH	
510	14.0mm	
514	14.0mm	



Total Zipper Technology

Presto Products Company • A Business of Reynolds Consumer Products • P.O. Box 2399 • Appleton, WI 54912-2399  
(800) 265-0750 • Fax: (920) 738-1347 • E-mail: PrestoFreshLock@ReynoldsBrands.com

[www.fresh-lock.com](http://www.fresh-lock.com) For Europe: [www.slide-rite.eu](http://www.slide-rite.eu)